



'U name it, V make it'

AIRONIX STEEL & ALUMINIUM WORKS



ISO 9001:2015 Certified

ACOUSTICS

INDEX

SOUND ATTENUATOR >>>>> 1 - 5

ACCESS DOOR >>>>> 6 - 8

CERTIFICATES >>>>> 9

AIRONIX STEEL & ALUMINIUM WORKS

SOUND ATTENUATOR

AIRONIX SOUND ATTENUATOR comes in rectangular & round cased; mainly used to reduce fan and machine noise to meet the required or allowed noise levels. The **SAT45** offers many advanced features including a standard aerodynamic splitter, side liners, side on flange and protect acoustic infill by galvanized perforated sheet metal.

Construction:

Type **SAT45** attenuator casings and splitters are manufactured from galvanized sheet metal thickness of 1.2 – 1.5mm. Casing are formed with lock formed seams with a mastic sealant; Slide on flanges are fitted as standard. The splitters contain acoustic infill which complies with class O Building Regulations. The infill has a glass tissue facing and is contained behind galvanized perforated metal; this dual protection prevents damage and fiber erosion up to 30 m/s airway velocity. The splitters are radiused at both ends to minimize air pressure loss and regenerated noise.

The cylindrical attenuator are prefabricated sections of double wall duct work with solid outer shell and perforated inner shell. The space between the two shells are usually filled with acoustic infill. It is designed for reducing fan noise meeting specified Noise level such as NC or NR.

SOUND ATTENUATOR

AIRONIX manufactures **SAT45** a new range of Sound Attenuators by adopting latest manufacturing techniques in fabrication and by using software for selecting proper and economical attenuators which are vastly used for both HVAC and industrial applications for either reducing or minimizing the generated noise.

Low noise level achievement has always been one of the key features of building design. In recent years noise control has become an important criteria due to increasing environmental awareness and the effects of noise on health, safety, comfort and efficiency. Control of the acoustical environment in a building means that all of the factors that may lead to noise problems must be fully considered. This means noise control of HVAC systems, controlling transmission of sound between rooms, protecting hallways, offices and other structures from high noise areas, and providing maximum privacy where needed.

Models & Types:

HSAT45 – Horizontal Sound Attenuator

VSAT45 – Vertical Sound Attenuator

CSAT45 – Cylindrical Sound Attenuator

SOUND ATTENUATOR



HORIZONTAL SOUND ATTENUATOR



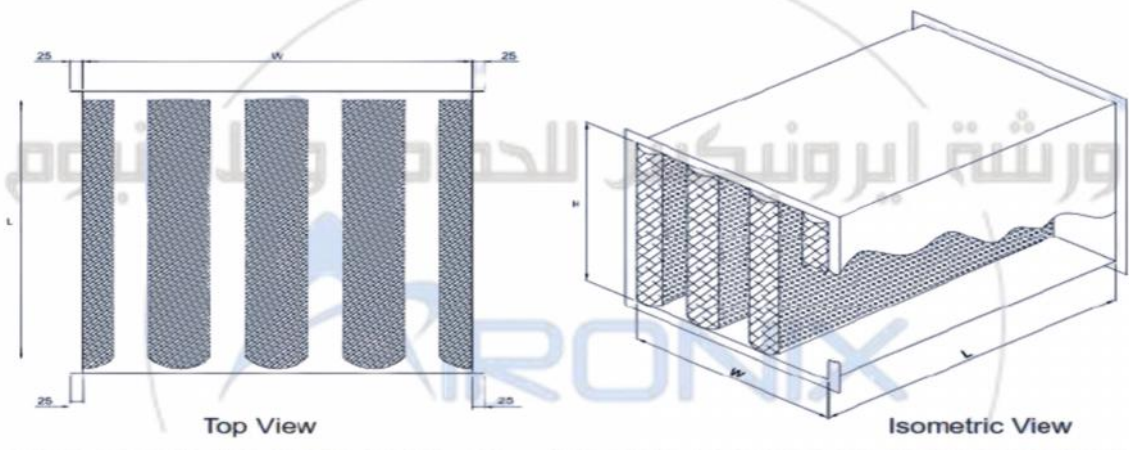
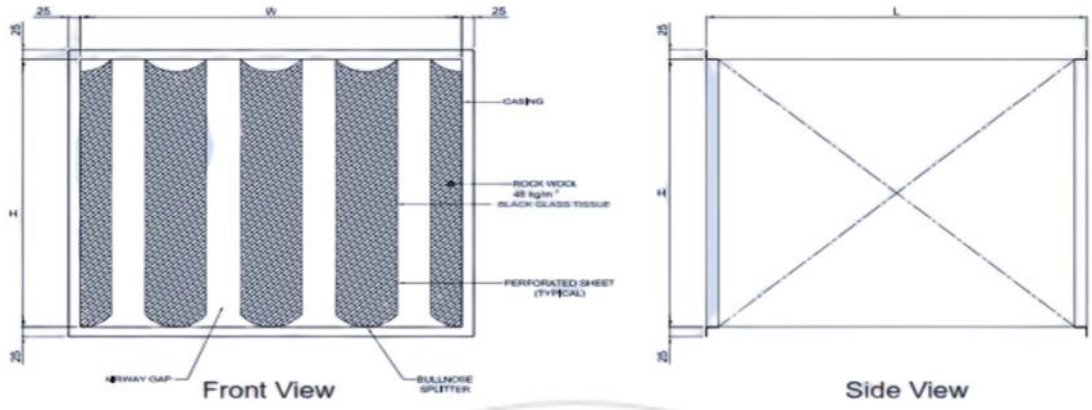
VERTICAL SOUND ATTENUATOR



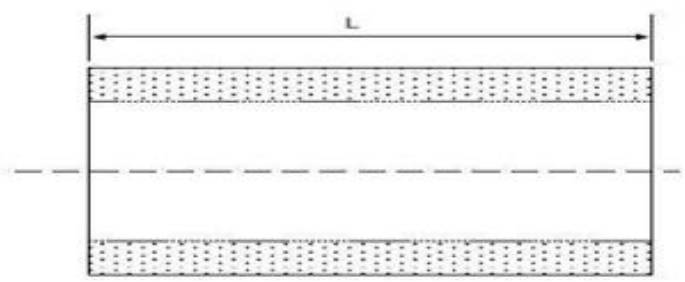
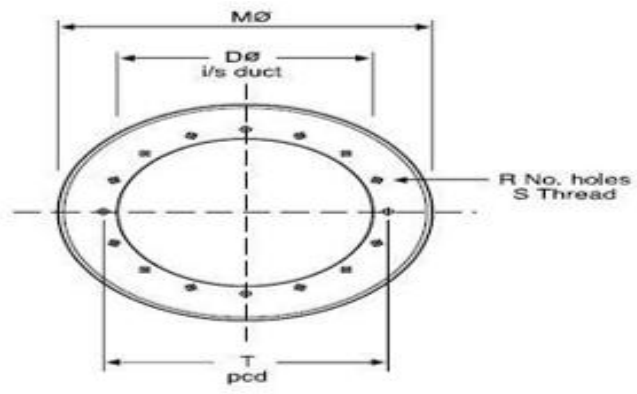
CYLINDRICAL SOUND ATTENUATOR

ورشة ايرونيكس للحداة والالمنيوم
AIRONIX
AIRONIX STEEL & ALUMINIUM

SOUND ATTENUATOR



AIRONIX STEEL & ALUMINIUM WORKS



SOUND ATTENUATOR

Performance Data:

Model: SAT45 Attenuator Size: 600 (W) x 600 (H) x 1200 mm (L)

AIRONIX SAT45		Insertion Loss (IL) Values, In dB									Forward Flow	
Attenuator Model & Dimensions	Attenuator Face Velocity	Static Pressure	Octave Band Center Frequency , Hz									
(W X H X L) in mm	(fpm)	(Inch Wg)	63	125	250	500	1000	2000	4000	8000		
Rectangular Type (600 mm x 600 mm x 1200 mm)	0	0	2	6	15	28	35	29	22	17		
	500	0.07	3	5	15	27	34	28	23	18		
	1000	0.21	1	5	14	26	33	28	23	19		
	1500	0.46	1	5	14	25	32	27	23	19		
	2000	0.80	0	4	14	25	31	27	23	19		

AIRONIX SAT45		Regenerated Noise Levels In dB									Forward Flow	
Attenuator Model & Dimensions	Attenuator Face Velocity	Static Pressure	Octave Band Center Frequency , Hz									
(W X H X L) in mm	(fpm)	(Inch Wg)	63	125	250	500	1000	2000	4000	8000		
Rectangular Type (600 mm x 600 mm x 1200 mm)	500	0.07	56	39	31	27	24	17	19	22		
	1000	0.21	57	48	41	43	46	41	34	24		
	1500	0.46	65	59	50	50	52	52	49	41		
	2000	0.80	76	68	58	56	57	58	57	51		

AIRONIX SAT45		Insertion Loss (IL) Values, In dB									Reverse Flow	
Attenuator Model & Dimensions	Attenuator Face Velocity	Static Pressure	Octave Band Center Frequency , Hz									
(W X H X L) in mm	(fpm)	(Inch Wg)	63	125	250	500	1000	2000	4000	8000		
Rectangular Type (600 mm x 600 mm x 1200 mm)	0	0	2	6	15	27	35	28	22	17		
	500	0.07	3	7	17	27	35	29	22	16		
	1000	0.21	3	8	16	26	35	29	22	16		
	1500	0.46	7	11	21	28	35	30	22	16		
	2000	0.80	7	10	21	29	33	30	22	15		

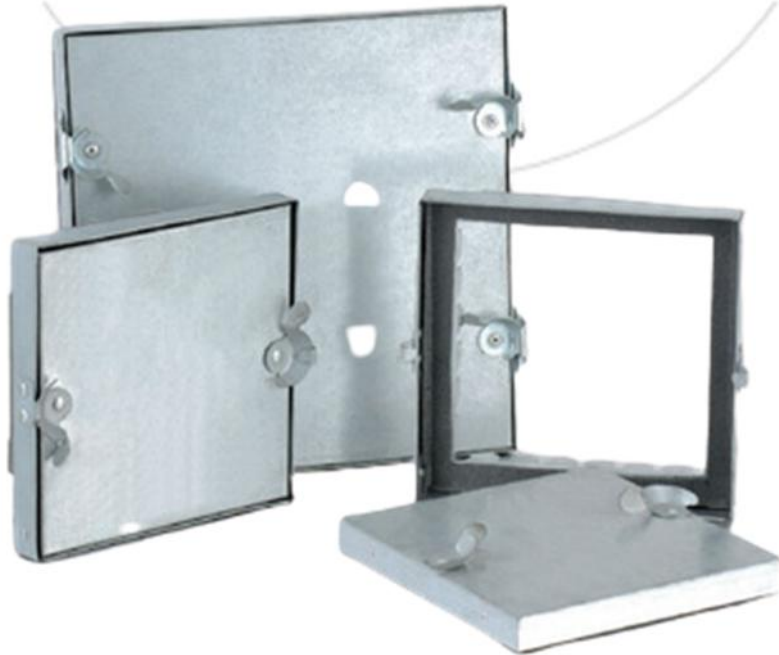
AIRONIX SAT45		Regenerated Noise Levels In dB									Reverse Flow	
Attenuator Model & Dimensions	Attenuator Face Velocity	Static Pressure	Octave Band Center Frequency , Hz									
(W X H X L) in mm	(fpm)	(Inch Wg)	63	125	250	500	1000	2000	4000	8000		
Rectangular Type (600 mm x 600 mm x 1200 mm)	500	0.07	55	41	30	27	24	17	19	22		
	1000	0.21	58	47	46	48	48	43	36	26		
	1500	0.46	70	57	53	55	56	54	50	43		
	2000	0.80	75	63	57	58	60	60	58	53		

ACCESS DOOR

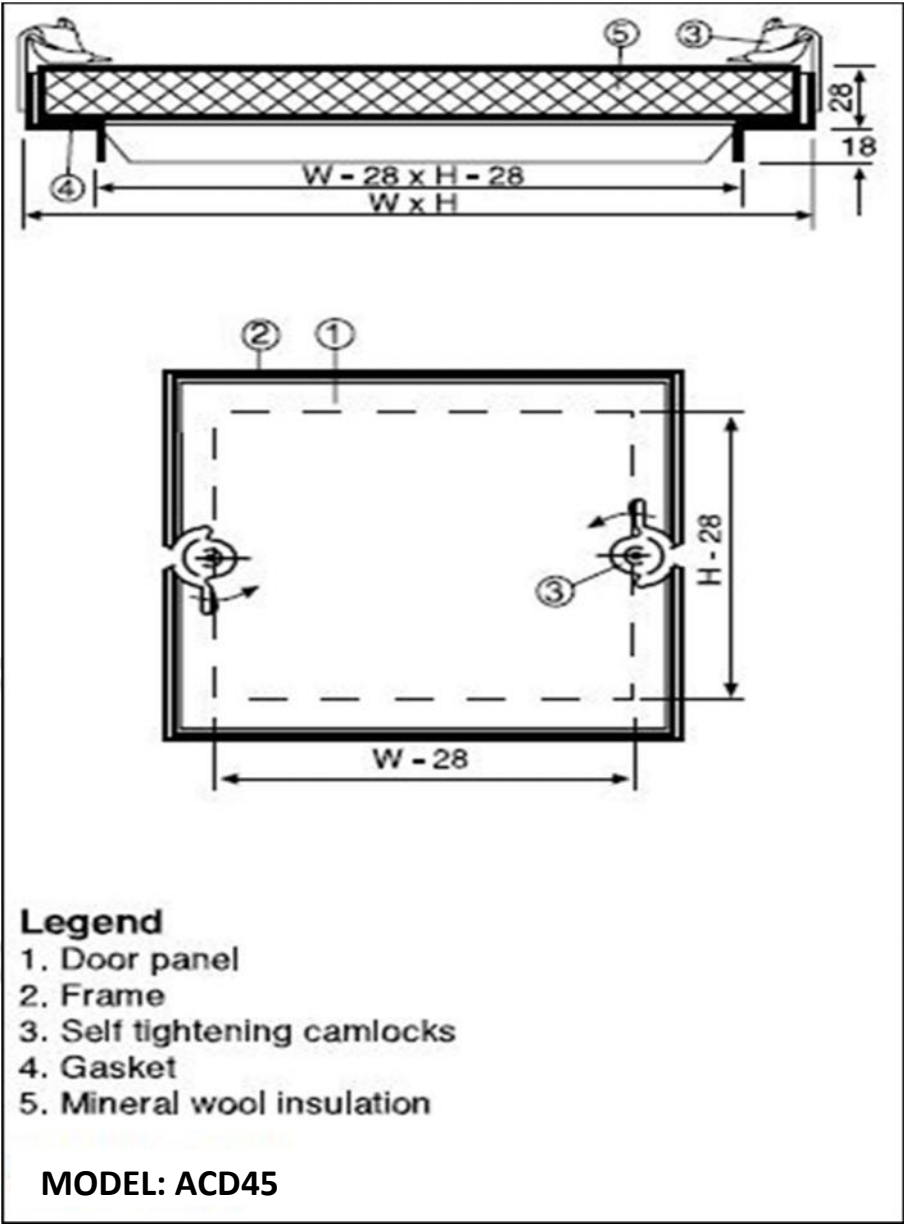
AIRONIX manufactures **ACD45** Access Doors in 25mm thickness double walled and mineral wool insulation. Designed to provide access to fire dampers, volume control dampers, filters, etc. One Camlock on opposite edge for smaller sizes and Two Camlocks on opposite edge for bigger sizes. Access Doors are made of GI according to the design and application. The strong and robust construction of the access door guarantees low leakage of air even with high duct pressures and double walled door panel with mineral wool insulation will act as better resistance for transfer of heat.

Models & Types:

ACD45 – Access Door 25mm double walled with rockwool insulation & removable door.



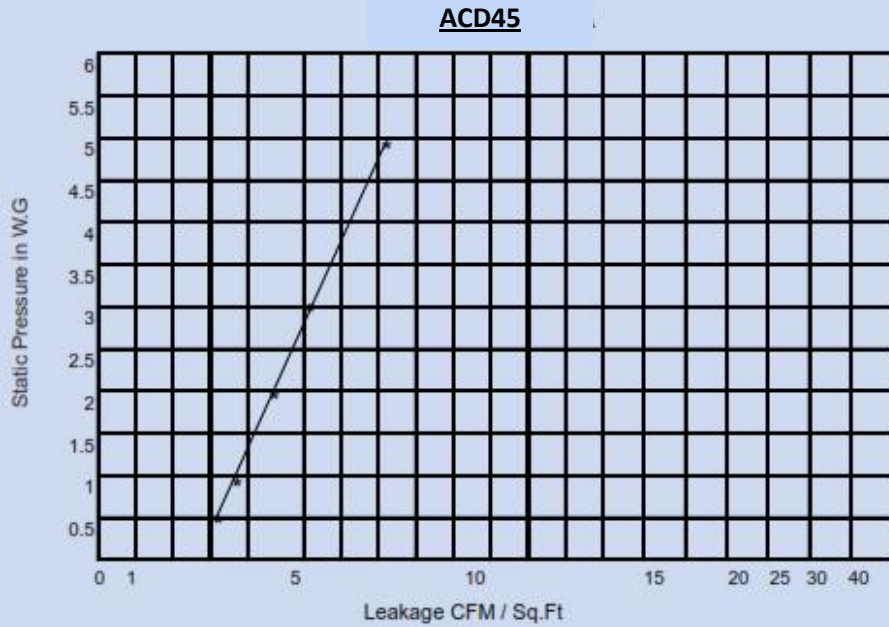
ACCESS DOOR



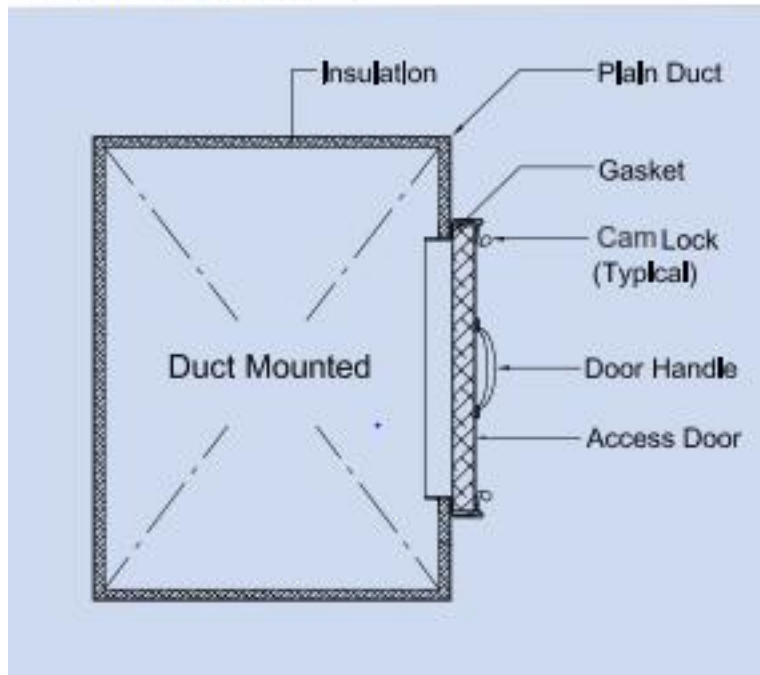
STANDARD FRAME SIZE			
150 X 150	300 X 300	400 X 400	600 X 600
200 X 200	350 X 250	450 X 300	
250 X 200	350 X 350	500 X 500	
250 X 250	400 X 300	600 X 450	

ACCESS DOOR

Leakage Vs Static Pressure Graph.



AIRONIX Installation Details



Certificate of Registration

ISO 9001:2015

*This is to Certify that
Quality Management Systems of*

AIRONIX STEEL & ALUMINIUM WORKSHOP

**PO Box 1404, New Industrial Area
Umm Al Quwain, UAE**


has been assessed and found to conform to the requirements of

ISO 9001:2015

for the following scope:

**Smithery and Welding Workshop, Aluminium & Glass
Installation Workshop.**

Certificate No.	: 179AGA2901	
Initial Registration Date	: 17.08.2020	Issuance Date: 19.08.2020
Date of Expiry *	: 18.08.2023	
1st Surve. Due	: 18.08.2021	2nd Surve. Due : 18.08.2022



Director

Accurate Global Ltd.

Address- 27, Old Gloucester Street, London, WC1N3AX, United Kingdom

**Validity of the Certificate is subject to successful completion of surveillance audit on or before of due date. (in case surveillance audit is not allowed to be conducted, this certificate shall be suspended/withdrawal).*

Certificate Verification: Please Re-check the validity of certificate at www.accurateiso.com at Active Clients. Certificate is the property of Accurate Global Ltd. London, UK and shall be returned immediately when demanded).

